

Notes

5

4

FA4740: Transducer Theory

Henry Sendek

"HSD5" Loudspeakers

03/05/2019

3

2

1

Project: FA4740
Transducer Theory

Designer: Henry Sendek

Drafter: Henry Sendek

Page Title: Title Page

Date: 3/05/2019 Scale: NTS

Page: Page #1 of #11

A

B

C

D

E

F

G

5

Table of Contents

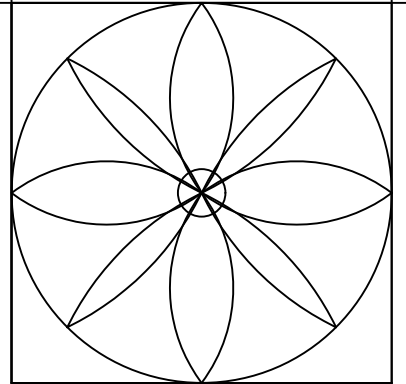
- 1. Title Page
- 2. Table of Contents
- 3. 3-D Render
- 4. 3-D Exploded
- 5. Front Baffle
- 6. Rear Baffle
- 7. Left Side Baffle
- 8. Right Side Baffle
- 9. Top Baffle
- 10. Bottom Baffle
- 11. Cut Sheet

4

3

2

1



Notes

Project:		FA4740 Transducer Theory	
Designer:		Henry Sendek	
Drafter:		Henry Sendek	
Page Title:		Table of Contents	
Date:	3/05/2019	Scale:	NTS
Page:		Page #2 of #11	

A

B

C

D

E

F

G

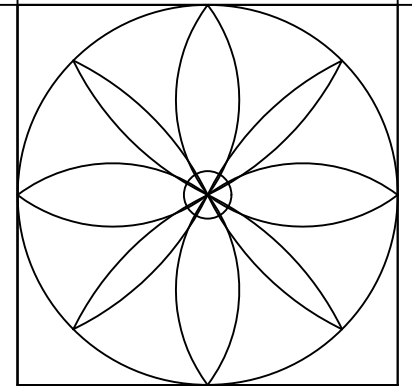
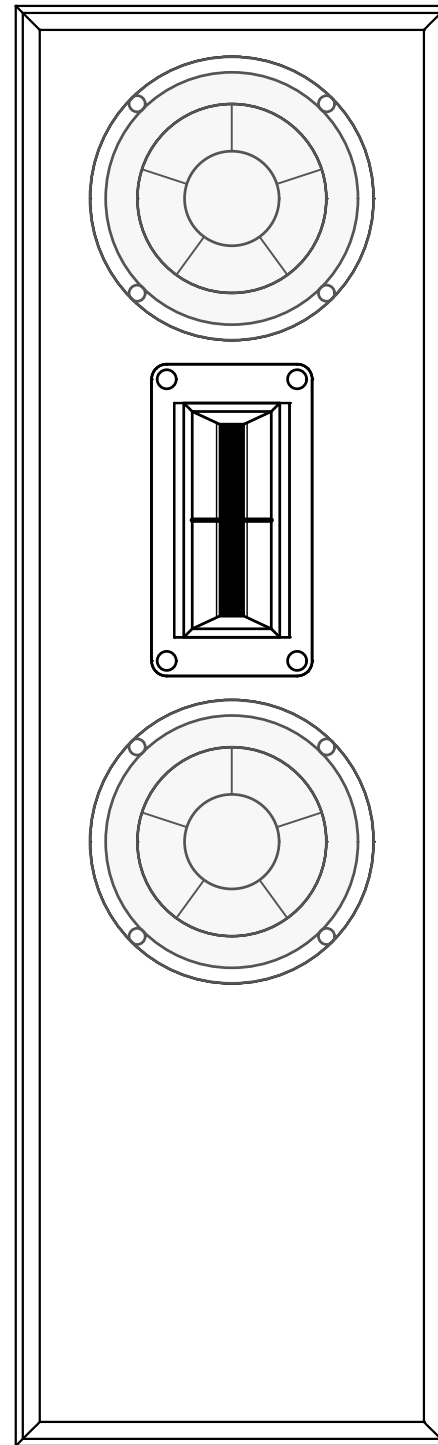
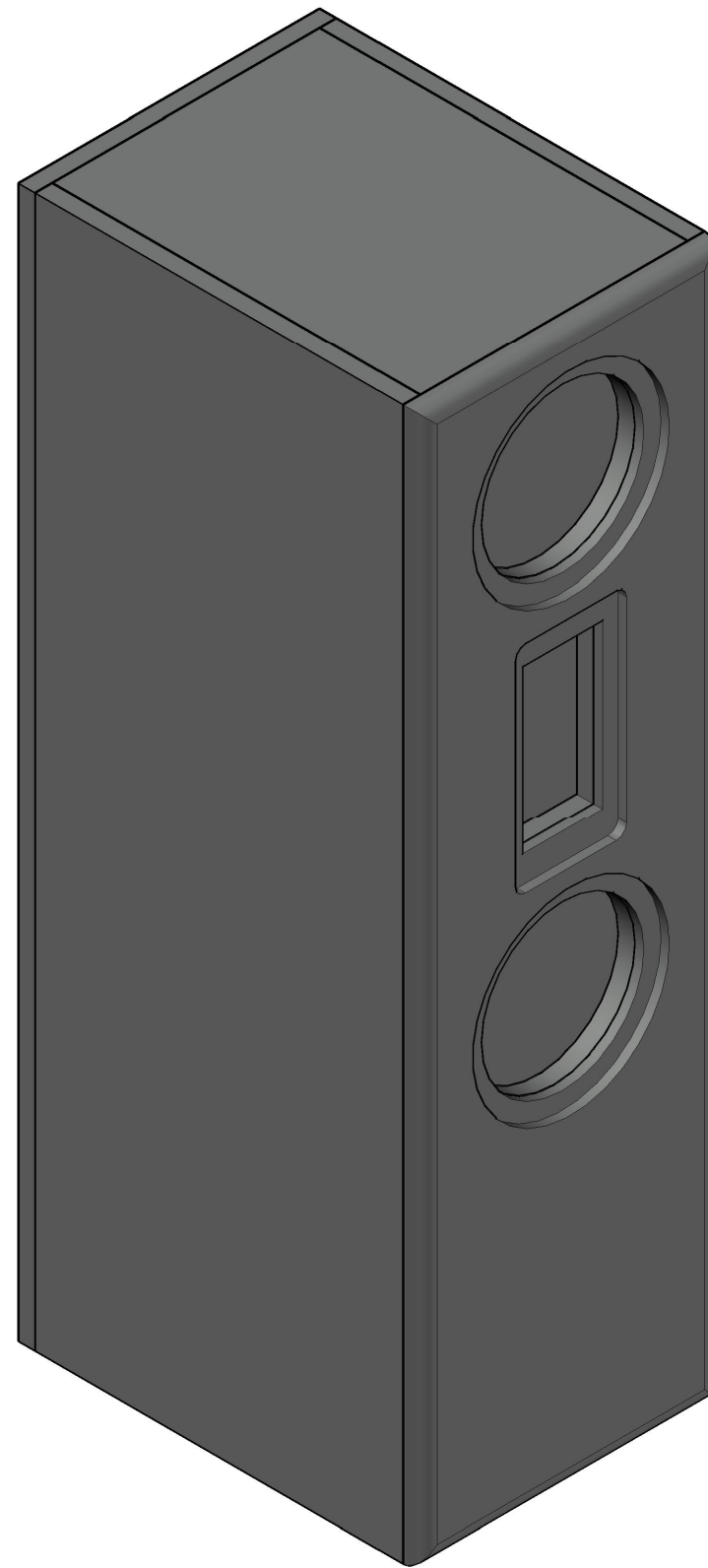
5

4

3

2

1



Notes

Project:		FA4740 Transducer Theory	
Designer:		Henry Sendek	
Drafter:		Henry Sendek	
Page Title:		Title Block	
Date:	3/05/2019	Scale:	3" = 1'-0"
Page:		Page #3 of #11	

A

B

C

D

E

F

G

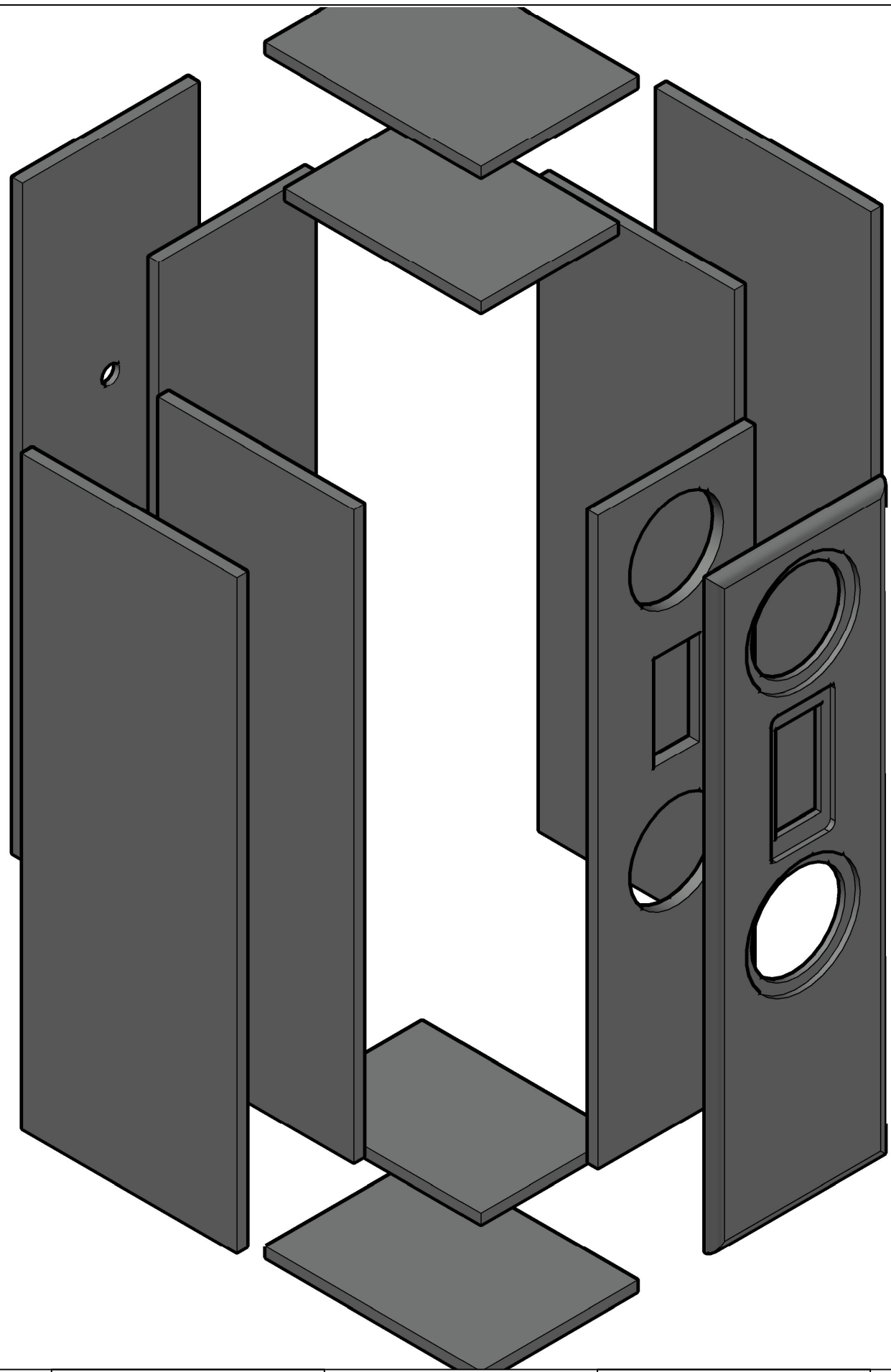
5

4

3

2

1



A

B

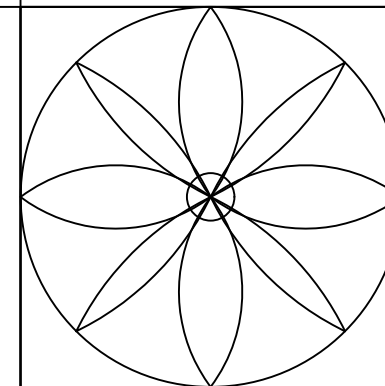
C

D

E

F

G



Notes

Project: **FA4740**
Transducer Theory

Designer:
Henry Sendek

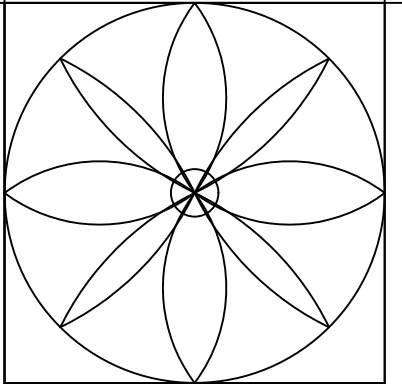
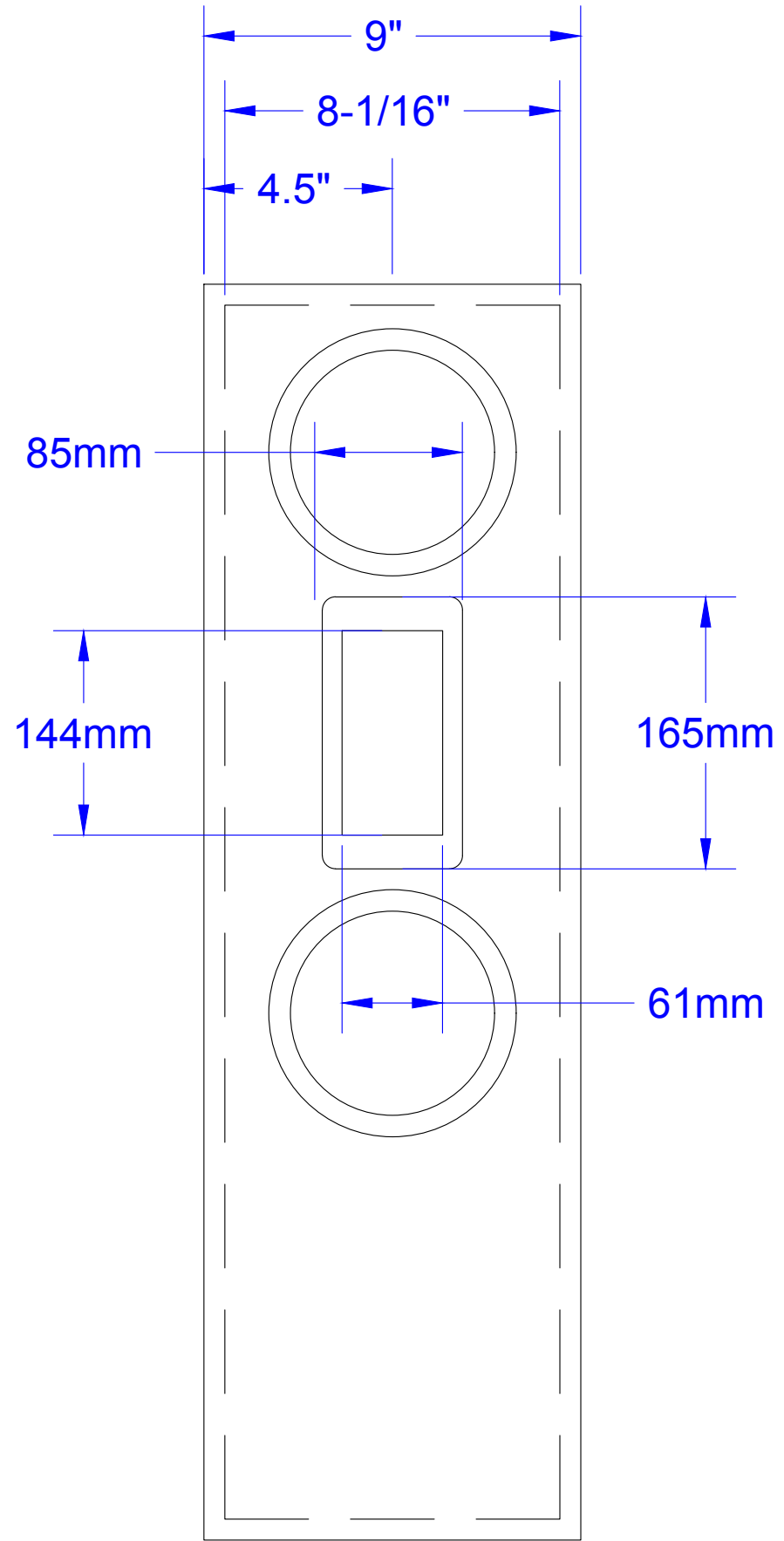
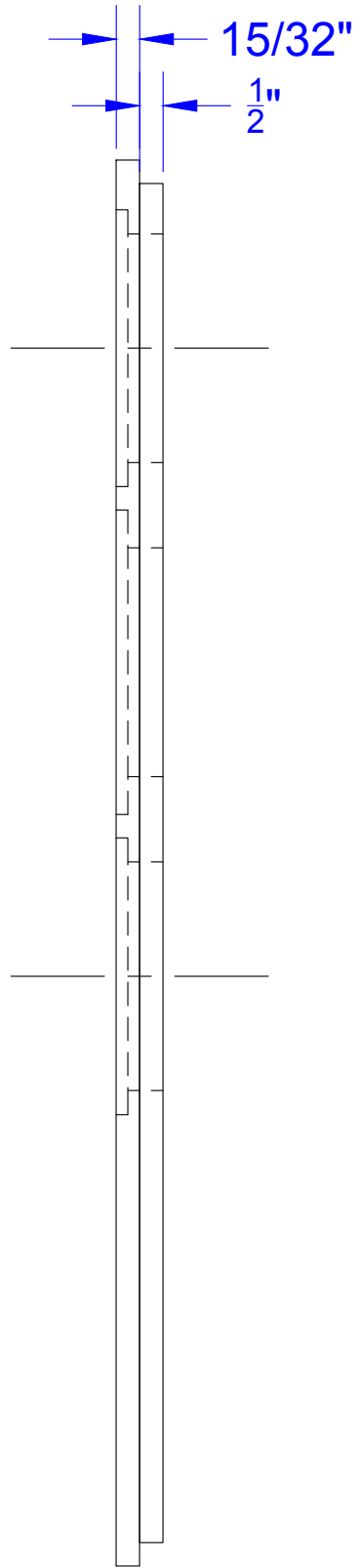
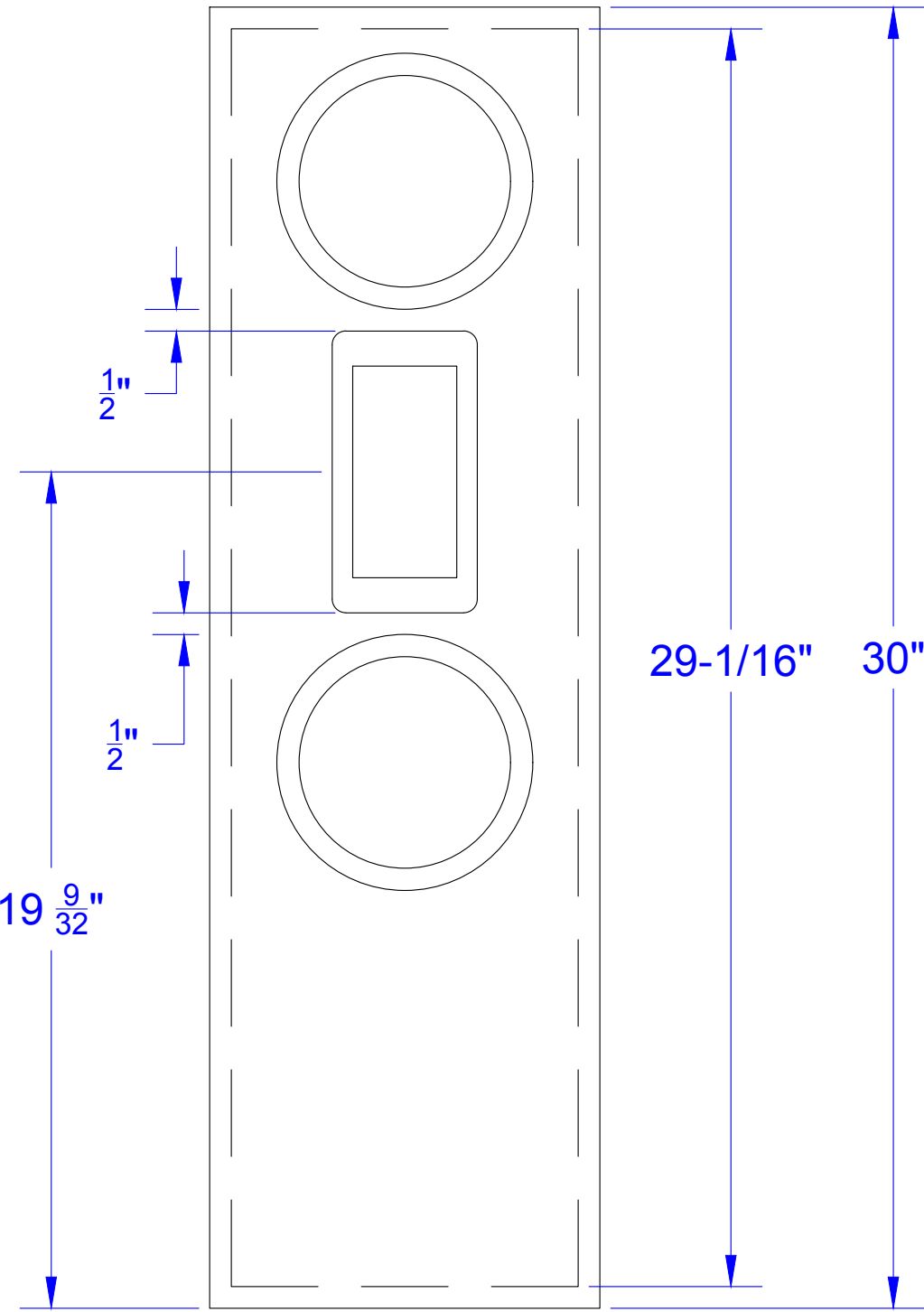
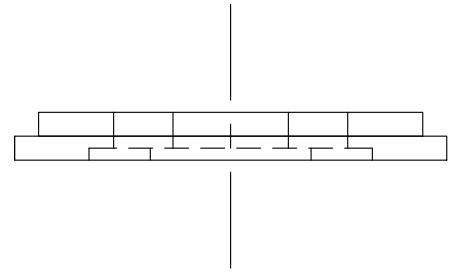
Drafter: **Henry Sendek**

Page Title: **Title Block**

Date: **3/05/2019** Scale: **NTS**

Page: **Page #4 of #11**

5
4
3
2
1



Notes

Project:		FA4740 Transducer Theory	
Designer:		Henry Sendek	
Drafter:		Henry Sendek	
Page Title:		Front Baffle	
Date:	3/05/2019	Scale:	3" = 1'-0"
Page: Page #5 of #11			

A

B

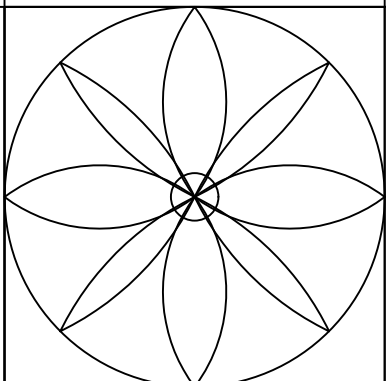
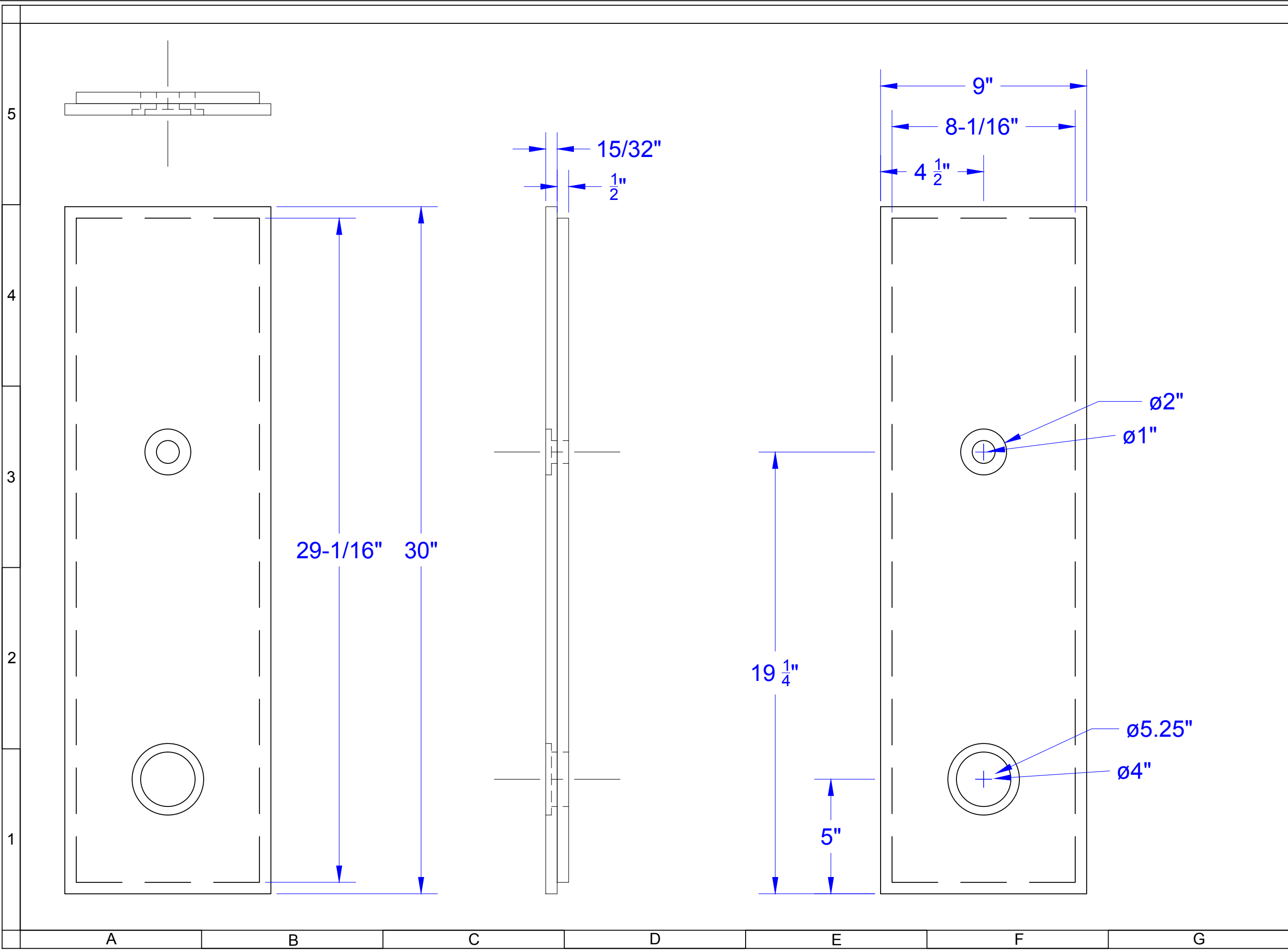
C

D

E

F

G



Notes

Notes section for the drawing.

Project: FA4740
Transducer Theory

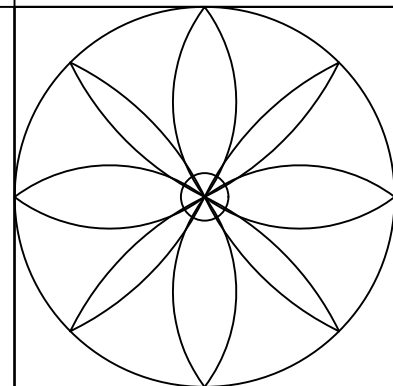
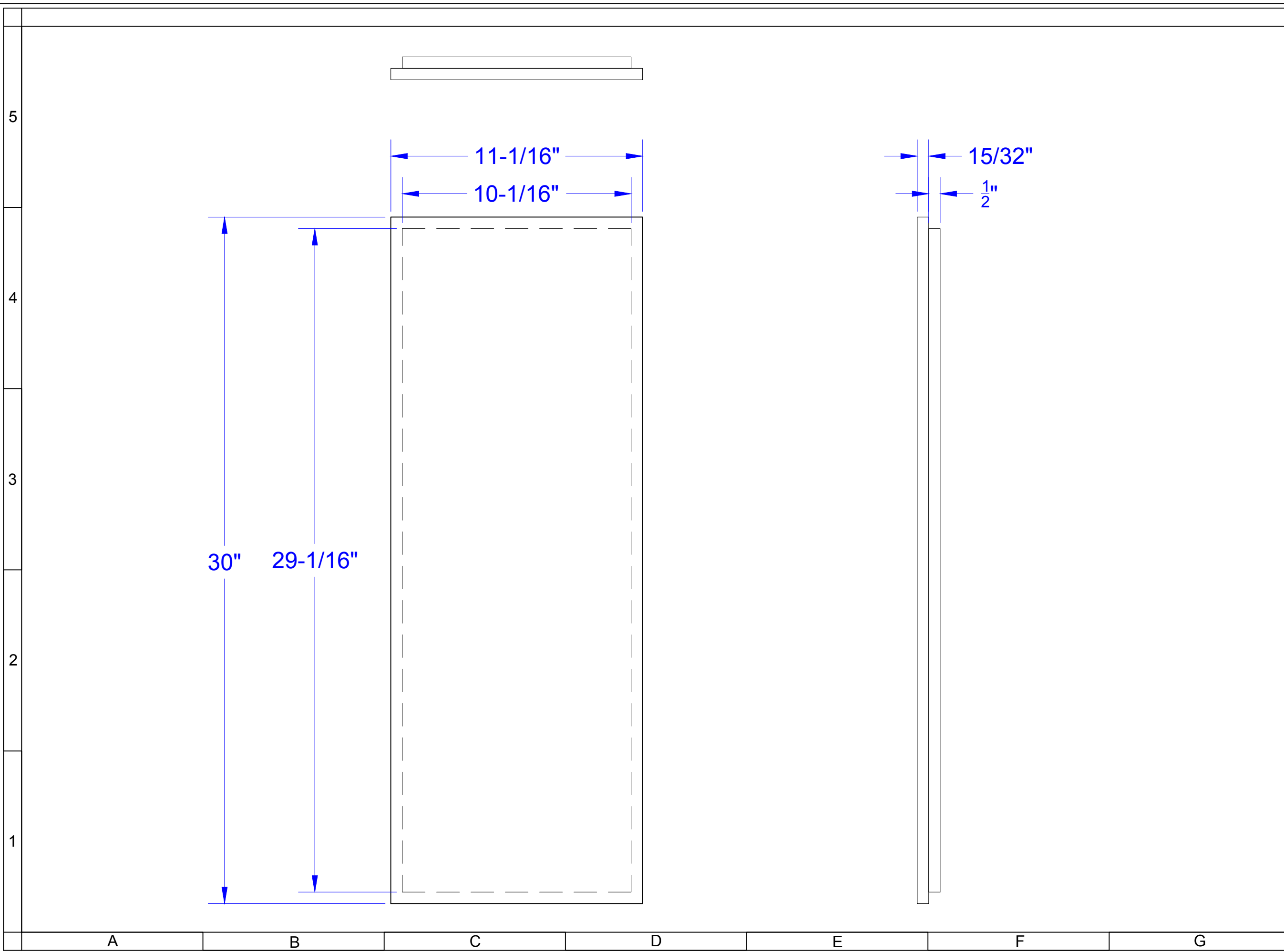
Designer: Henry Sendek

Drafter: Henry Sendek

Page Title: Rear Baffle

Date: 3/05/2019 Scale: 3" = 1'-0"

Page: Page #6 of #11



Notes

Notes section for the drawing.

Project: FA4740
Transducer Theory

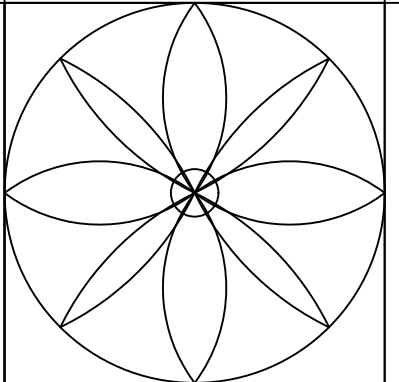
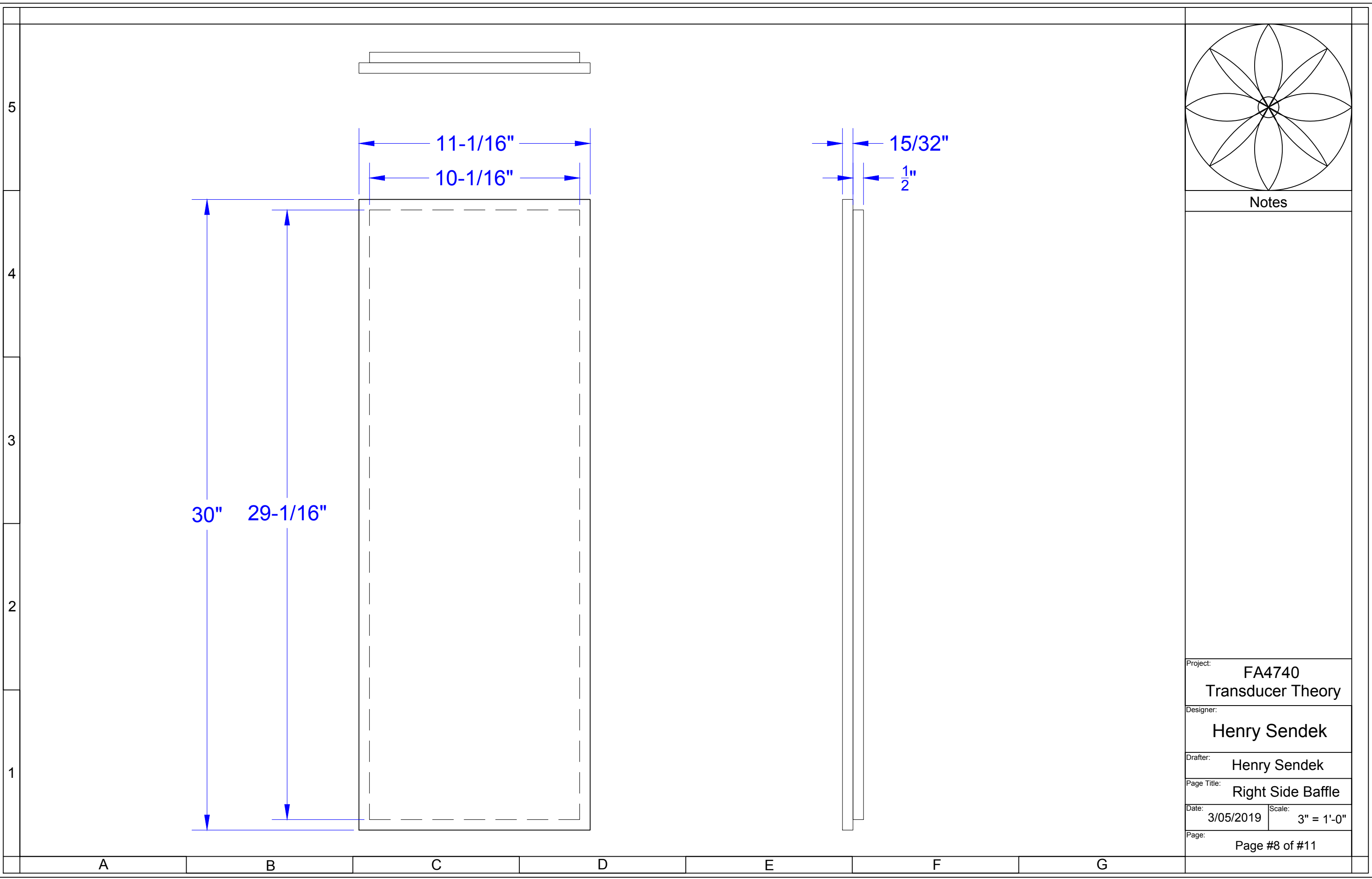
Designer: Henry Sendek

Drafter: Henry Sendek

Page Title: Left Side Baffle

Date: 3/05/2019 Scale: 3" = 1'-0"

Page: Page #7 of #11



Notes

Project:		FA4740 Transducer Theory	
Designer:		Henry Sendek	
Drafter:		Henry Sendek	
Page Title:		Right Side Baffle	
Date:	3/05/2019	Scale:	3" = 1'-0"
Page: Page #8 of #11			

5

4

3

2

1

A

B

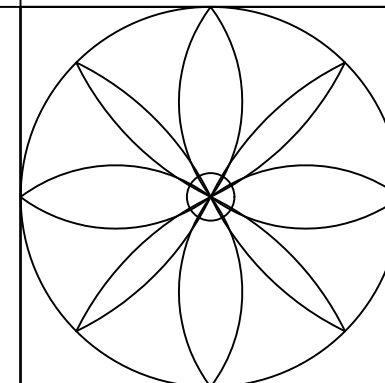
C

D

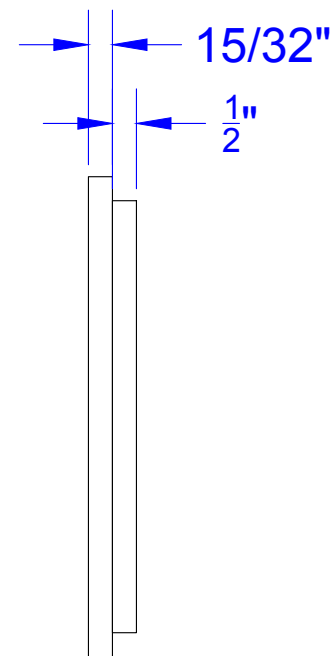
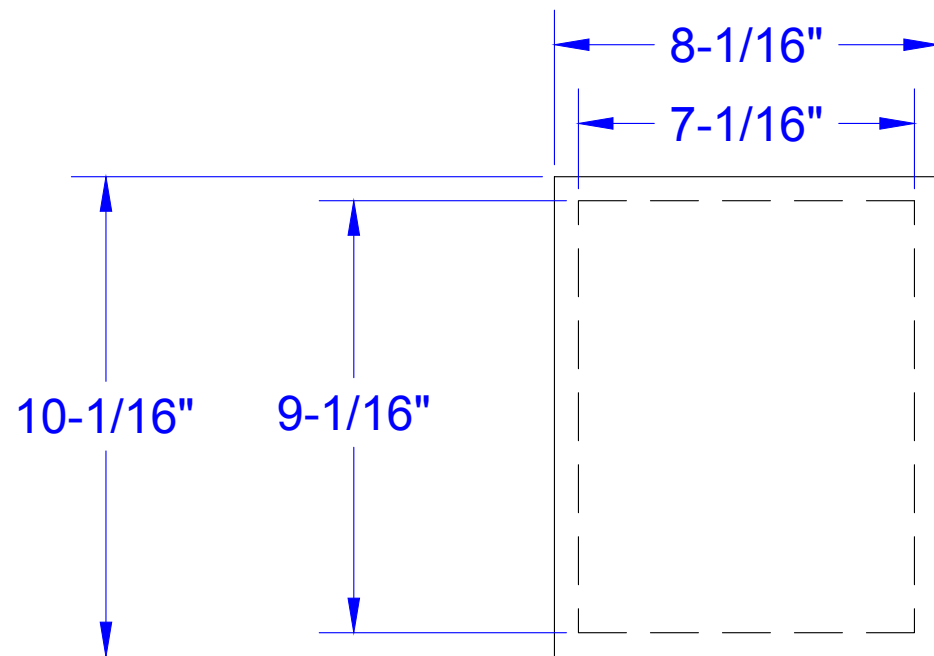
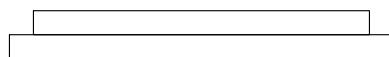
E

F

G



Notes



Project: **FA4740**
Transducer Theory

Designer: **Henry Sendek**

Drafter: **Henry Sendek**

Page Title: **Top Baffle**

Date: **3/05/2019** Scale: **3" = 1'-0"**

Page: **Page #9 of #11**

5

4

3

2

1

A

B

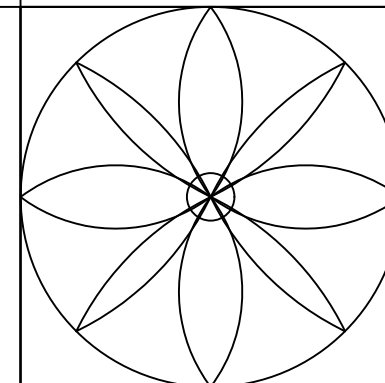
C

D

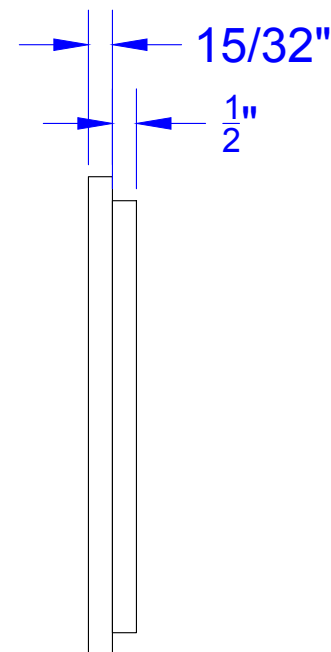
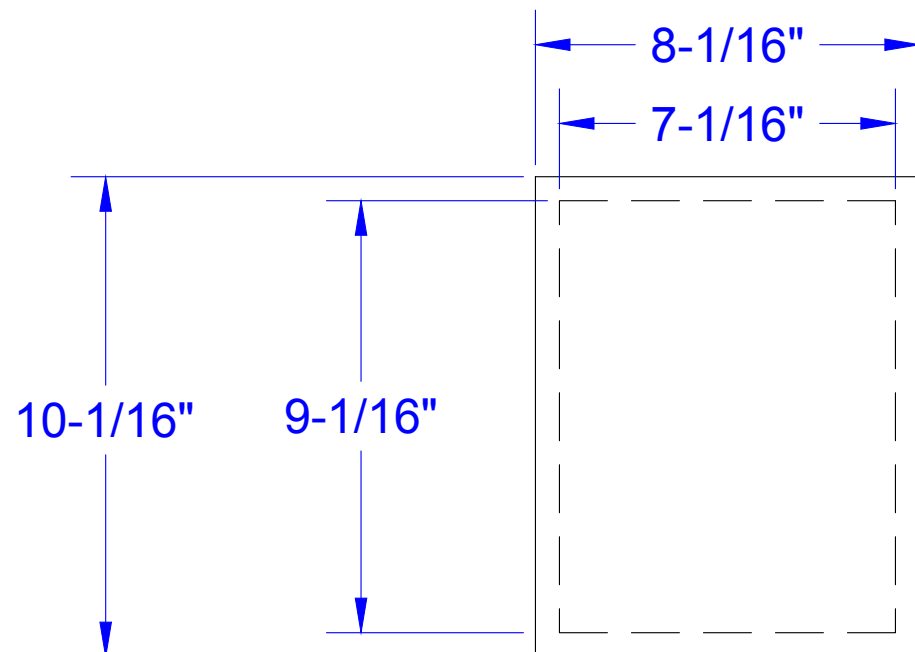
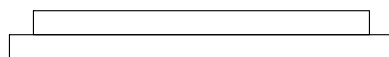
E

F

G



Notes



Project: **FA4740**
Transducer Theory

Designer:
Henry Sendek

Drafter: **Henry Sendek**

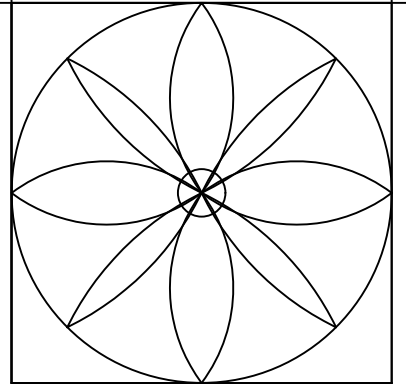
Page Title: **Bottom Baffle**

Date: **3/05/2019** Scale: **3" = 1'-0"**

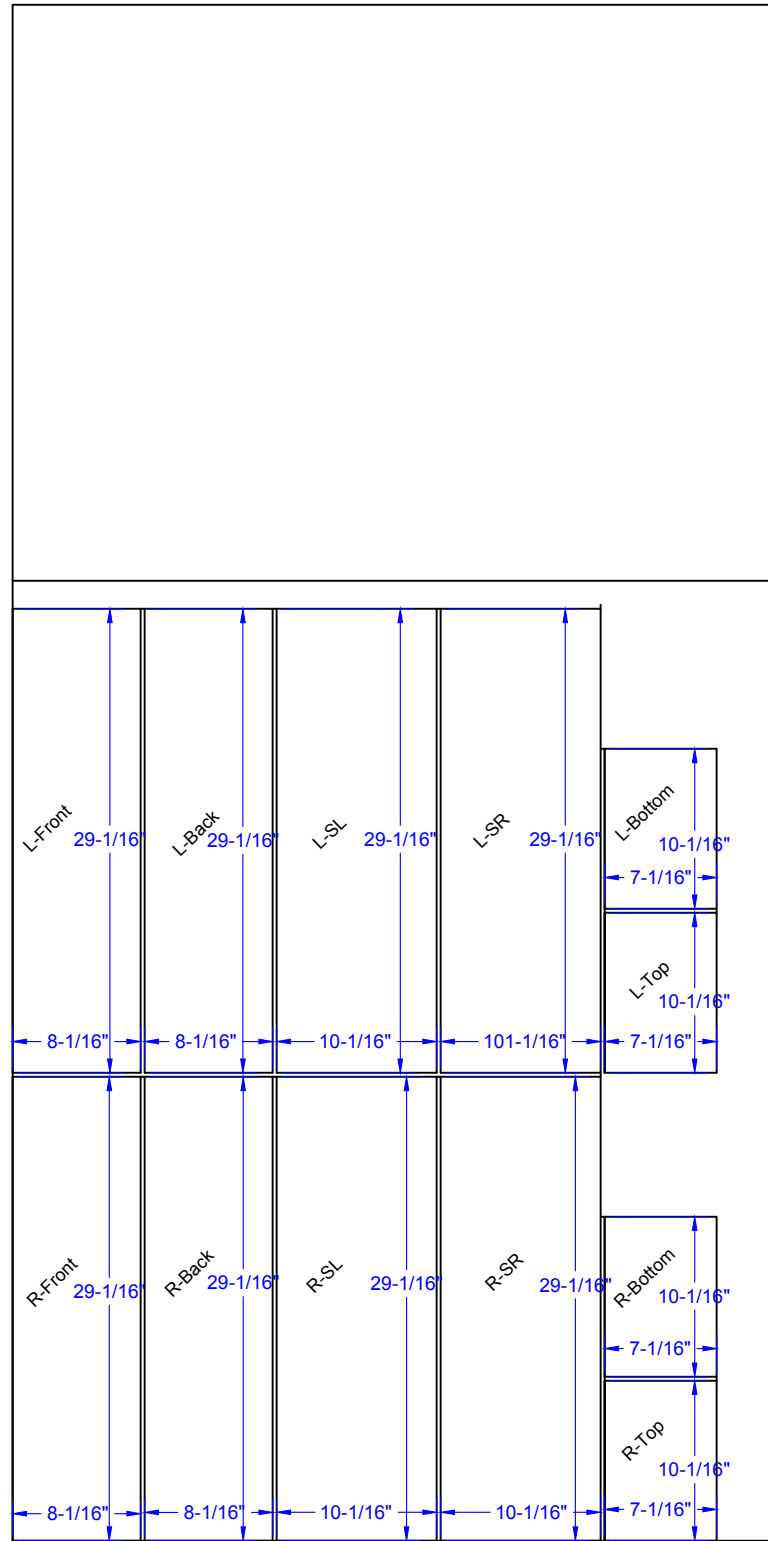
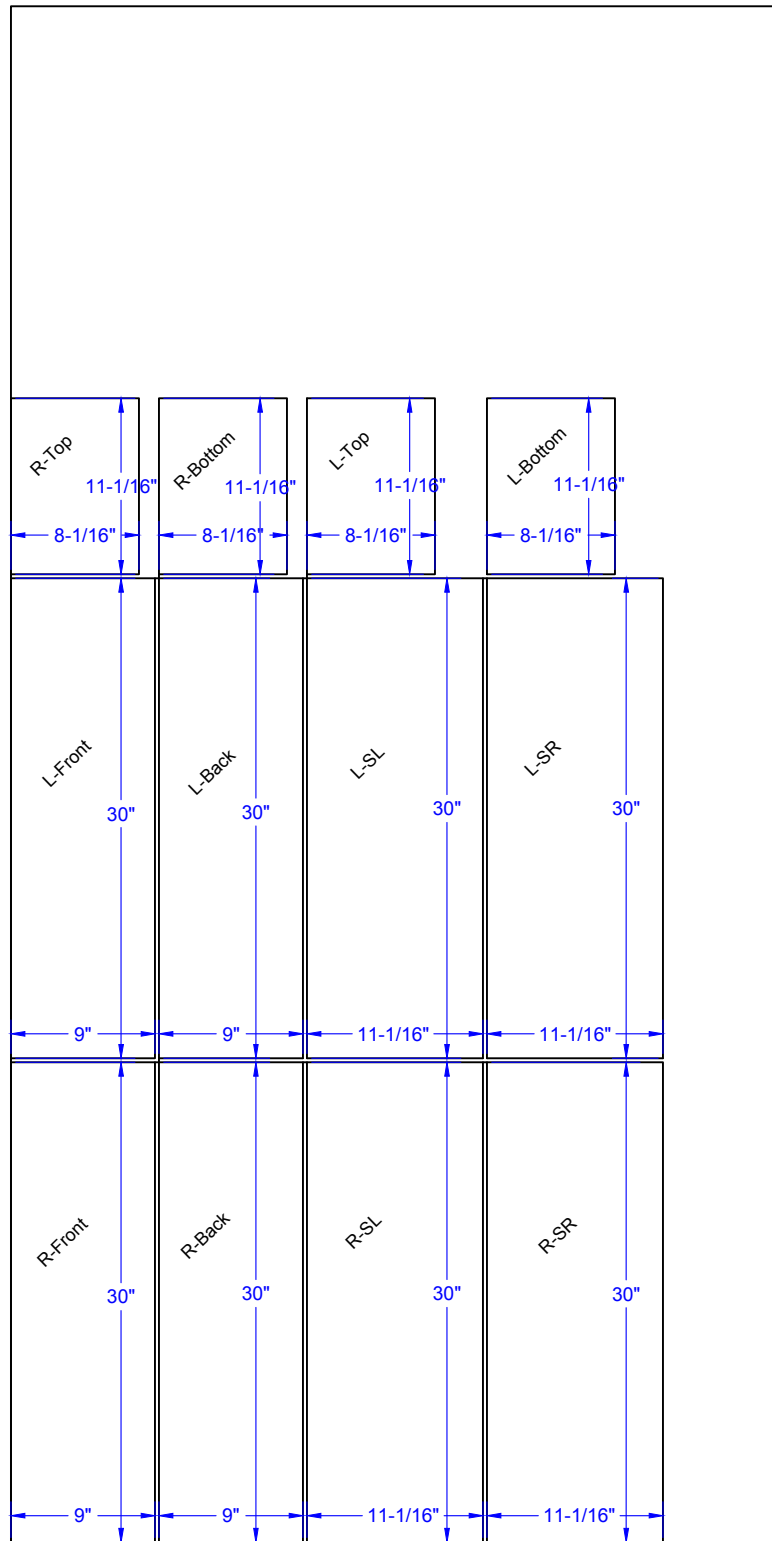
Page: **Page #10 of #11**

Baltic Birch

MDF



Notes



Cut List

Baltic Birch:

4 x 9" x 30"

4 x 11-1/16" x 30"

4 x 8-1/16" x 11-1/16"

MDF:

4 x 8-1/16" x 29-1/16"

4 x 10-1/16" x 29-1/16"

4 x 7-1/16" x 10-1/16"

Project: FA4740
Transducer Theory

Designer: Henry Sendek

Drafter: Henry Sendek

Page Title: Cut Sheet

Date: 3/05/2019 Scale: 1" = 1'-0"

Page: Page #11 of #11

A

B

C

D

E

F

G

5

4

3

2

1